

Pinnacle Bi-Fold Mortice Lock

Aria or Uno Furniture

ASSA ABLOY

The global leader in door opening solutions.

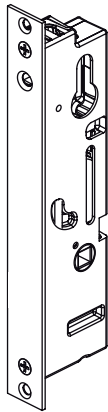
Installation Instructions

Application: Provides multipoint locking with secure deadlocking for aluminium folding doors.

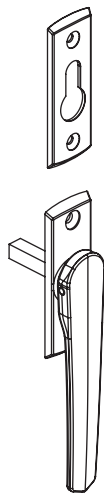
Tools Required:

- Drill
- 3.2mm Drill Bit
- 20.0 Drill Bit
- Phillips Screwdriver #2
- Square Screwdriver #1

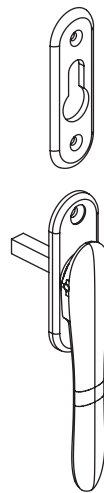
Pack Contents:



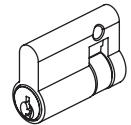
Mortice Bi-fold lock



Aria bi-fold handle & escutcheon



Uno bi-fold handle & escutcheon



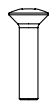
Half Cylinder



M5 Cylinder fixing screw



8g x 7.5 Screws



8g x 5/8 Screws



Shootbolt Rod 1.3m



Shootbolt Rod 1.0m



Plastic 'D' Tip



Steel Rod Tip Pin

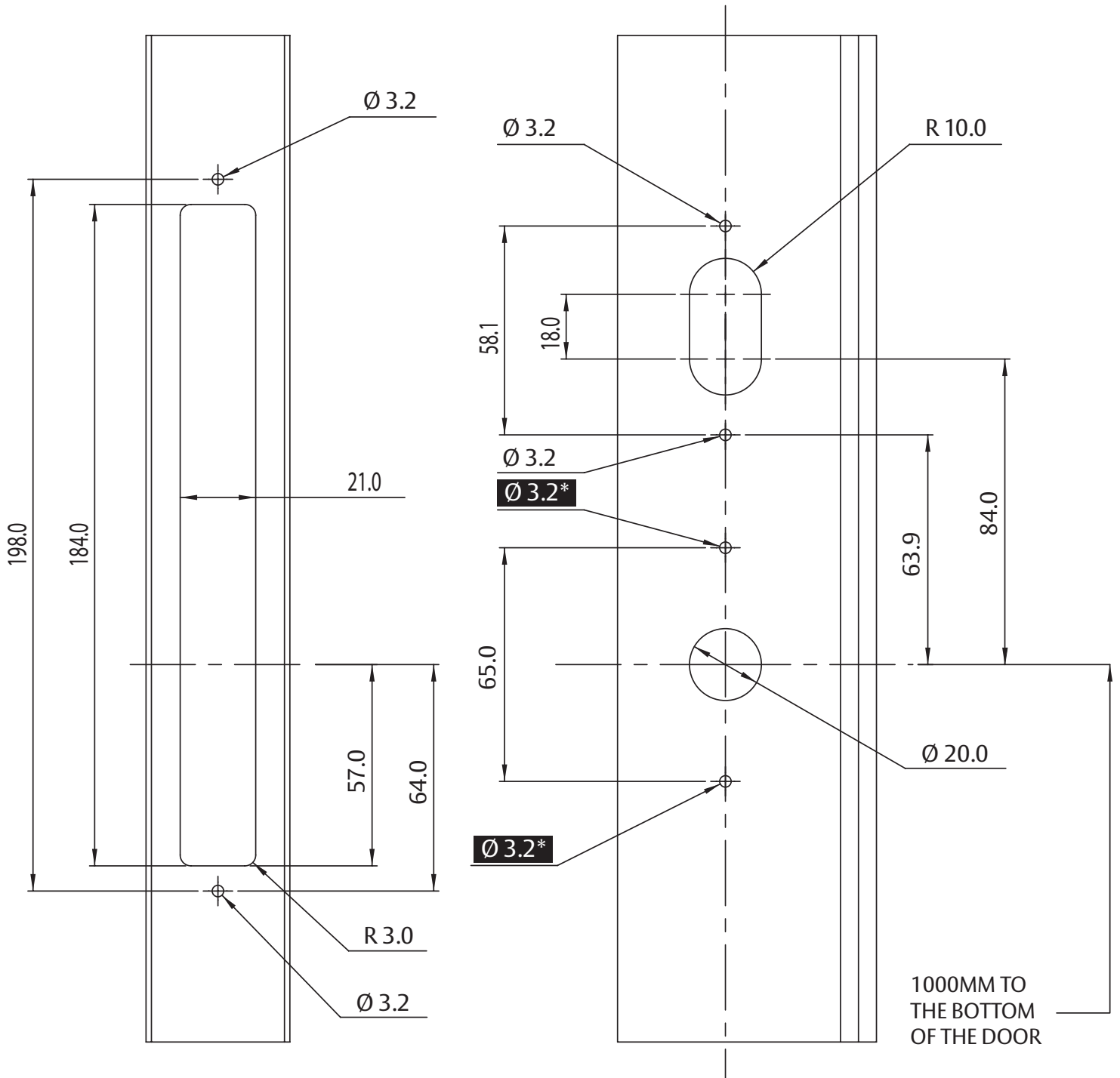
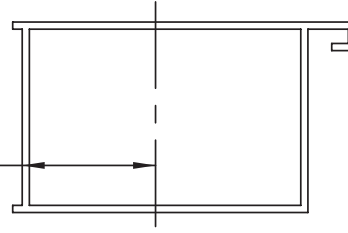
1. Door Preparation

Route the door as shown in the routing diagram.

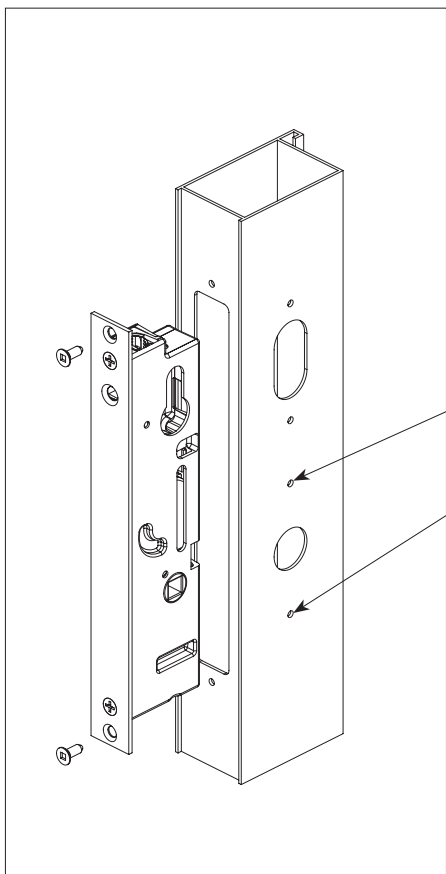
* Please Note:

Furniture is face fixed into aluminium, not into lockbody as Twinbolt Lock

30mm BACKSET ROUTING IS 28mm FROM FACE
35mm BACKSET ROUTING IS 33mm FROM FACE
40mm BACKSET ROUTING IS 38mm FROM FACE

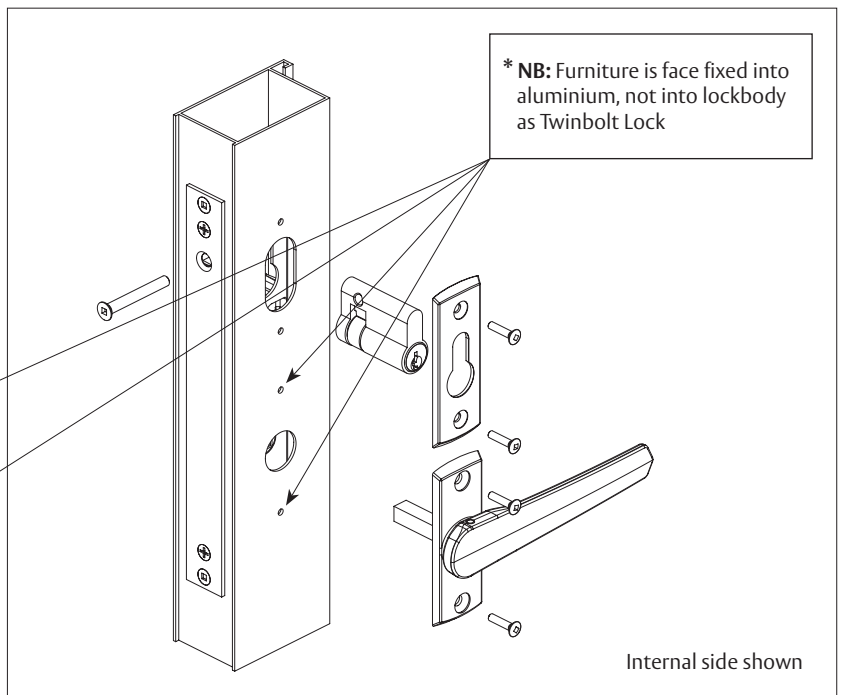


NB: Route inside face only



2. Fixing Lock

- Place the lock assembly into the stile
- Fix the lock onto the stile using the two 8g x 7.5 screws



3. Fixing Furniture and Cylinder

- Insert the drive bar (spindle) on the bi-fold handle into the square drive hole in the lock
- Fix the bi-fold handle to the extrusion using two 8g x 5/8 screws
- Place the cylinder through the cylinder hole
- Fix cylinder using the M5 cylinder fixing screw as supplied
- Place cylinder escutcheon over the cylinder and fix using two 8g x 5/8 screws

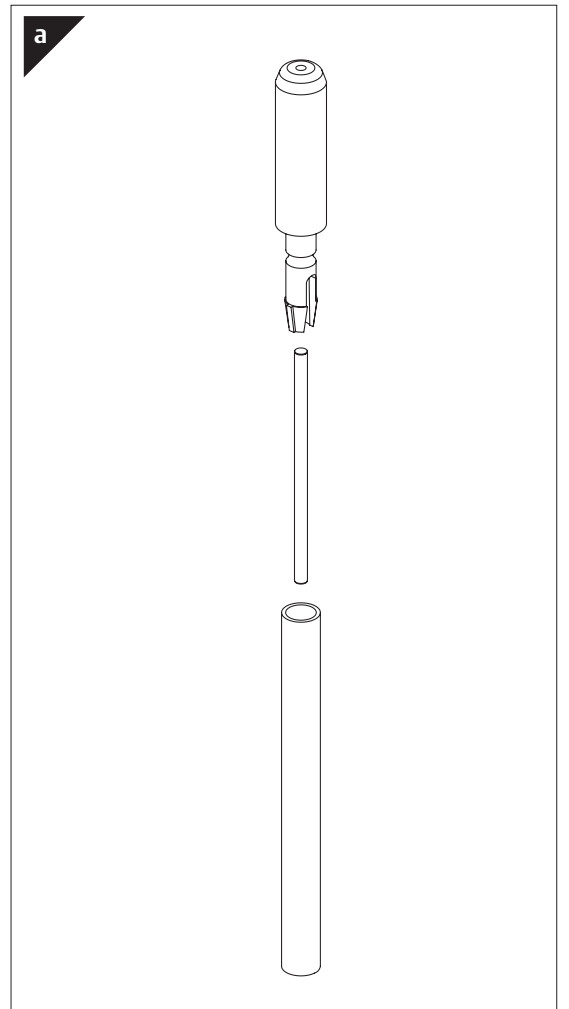
4. Assembly of Shootbolt Rod Ends

Trim the lock rods to length allowing for:

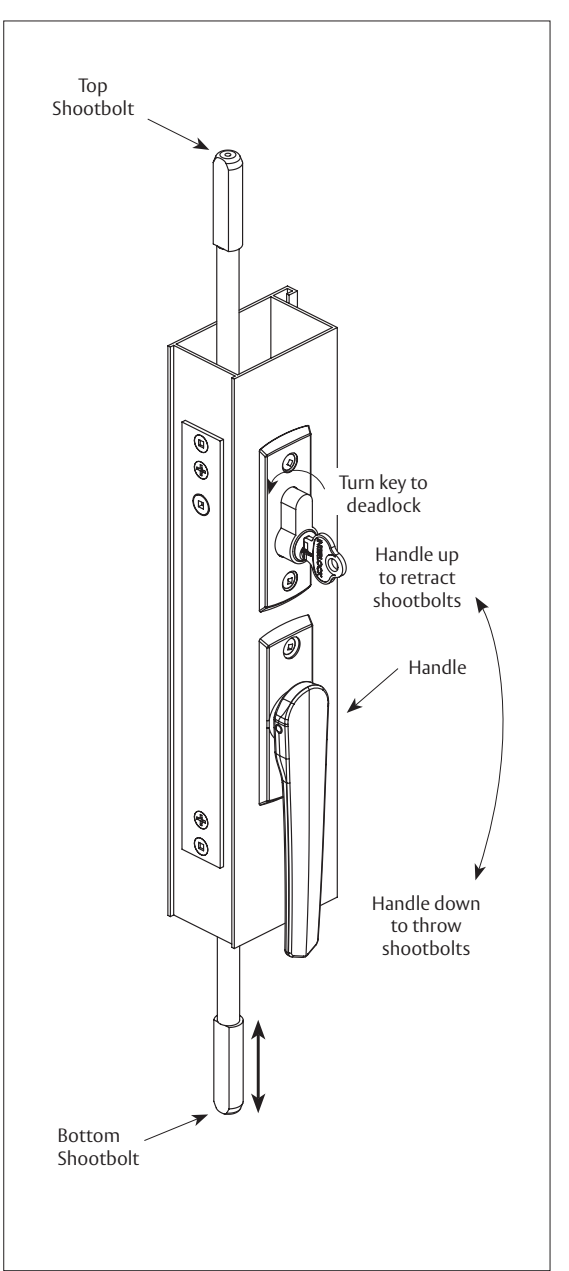
- A throw of 22mm
- Length of 'D' tip 44mm
- Engagement into lock racks of 11mm

a) Plastic Rod Ends

- Insert the steel pin into the plastic 'D' tip. The steel pin should be inserted from the open end rather than the smaller drainage hole
- Insert the combined part into the top of the shootbolt rod
- Crimp the shootbolt rod, by applying pressure on the shootbolt rod in line with the groove around the 'D' tip to ensure the two parts cannot be easily separated. A tool is available for this purpose (P84042)
- Repeat steps 1-3 again for the bottom shootbolt rod
- Insert the rods from the top and bottom of the stile and screw into the lock



Troubleshooting	
Do I need to tap holes?	No. All screws are self tapping.
Do I have to use the supplied screws?	For best performance, it is recommended that only the supplied screws are used.



6. Lock operation

Shootbolt Operation

- Turn handle to vertical position to throw bolts
- Turn handle to horizontal position to retract bolts
- Deadlocking function operates when bolts are thrown

WARRANTY

ASSA ABLOY New Zealand Ltd ("ASSA ABLOY") guarantees its products against defects in workmanship and materials.

If within 10 years of purchase a product is found to be defective, ASSA ABLOY will supply the same or equivalent product free of charge.

All electrical and electronic components used in ASSA ABLOY's range of products excluding batteries are guaranteed for a period of 12 months from the date of proof of purchase, unless stated otherwise.

ASSA ABLOY assumes no liability under the guarantee for the following:

1. Improper installation or failure to follow fitting instructions.
2. Failure due to improper maintenance.
3. Fair wear and tear.
4. Indirect or consequential loss or damage.
5. Cost of removal and/or replacement.
6. Cost of freight and/or travelling time.
7. Damage to or deterioration of plated finishes (soft finishes). As deterioration is possible under some environmental conditions, these finishes are excluded from this guarantee.
8. Any modification or repairs to a product, as supplied, unless authorised by ASSA ABLOY.
9. Use of replacement parts other than authorised parts.
10. Malfunction or failure of the product due to the use of non-genuine ASSA ABLOY parts.

Nothing in the ASSA ABLOY New Zealand Limited Warranty excludes, restricts or modifies any condition, warranty, right or liability implied or protected by law where to do so would render the Warranty, or any part of it, void.

10
YEARS
WARRANTY